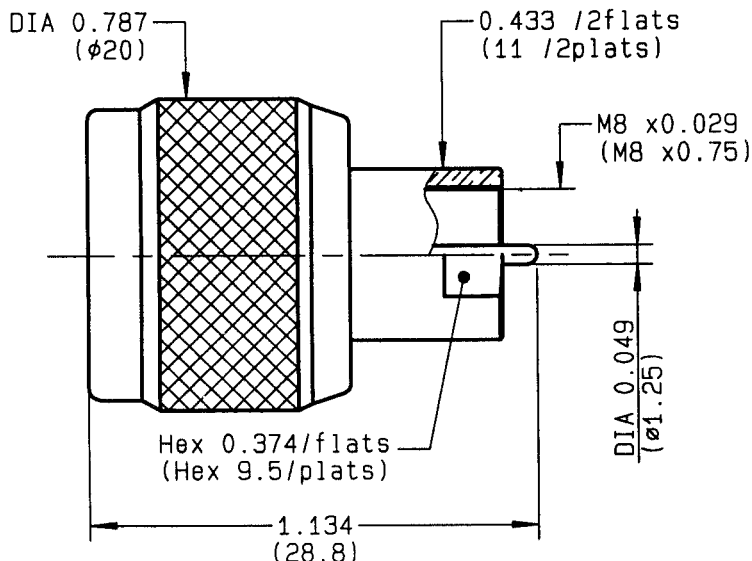


**STRAIGHT ADAPTOR EASY CONNECT N**

**R161.042.120**


**SERIES**

**N**



NOMINAL IMPEDANCE	<b>50</b> Ω	CABLES :	
FREQUENCY RANGE	<b>0-1</b> GHz		
TEMPERATURE RATING	<b>-55/+100</b> °C		
V.S.W.R	<b>TBD</b> + x F(GHz)Maxi		
RF INSERTION LOSS	<b>TBD</b> √F(GHz) dB Maxi		
VOLTAGE RATING	<b>500</b> Veff Maxi		
DIELECTRIC WITHSTANDING VOLTAGE	<b>1500</b> Veff Mini		
INSULATION RESISTANCE	<b>5000</b> MΩMini	OTHERS CHARACTERISTICS	
HERMETIC SEAL	<b>NA</b> Atm.cm <sup>3</sup> /s	CABLE RETENTION	<b>TBD</b> N Mini
LEAKAGE (pressurized only)	<b>NA</b>	CENTER CONTACT RETENTION	
MECHANICAL DURABILITY	<b>500</b> Cycles	Axial force - mating end	<b>27</b> N Mini
WEIGHT	gr	Axial force - opposite end	<b>27</b> N Mini
SPECIFICATION		Torque	<b>NA</b> cm.N Mini
		RECOMMENDED TORQUES	
		Mating	<b>130</b> cm.N
		Panel nut	<b>NA</b> cm.N
		Clamp nut	<b>150</b> cm.N

CONNECTOR PARTS	MATERIALS	FINISH	(all values are given in micrometers)
BODY	BRASS	NICKEL .	
OUTER CONTACT	BRASS	NICKEL .	
CENTER CONTACT	BRASS	GOLD .	
INSULATOR	DELTRIN (POM)	-	
GASKET	SILICONE RUBBER	-	
OTHERS PIECES	BRASS	NICKEL .	

ISSUE	CREATION DATE	FILE PART-NUMBER	 <b>RADIALL</b> ®
<b>9820E00</b>	<b>18-JAN-93</b>	<b>EPC 96-07</b>	

The information given here is subject to change without notice. Design changes may be in order to improve the product.

*Connect to the future*